

Snap Action, Standard



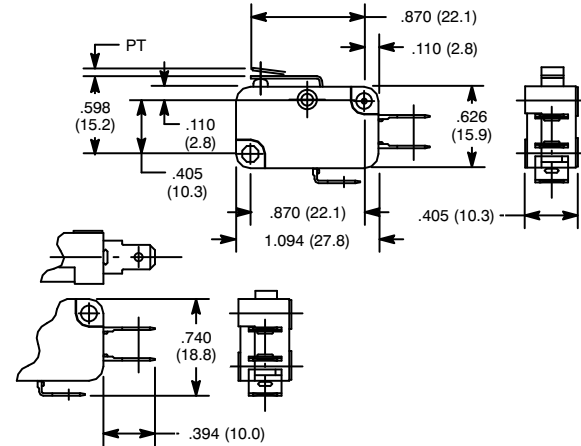
Features

- Actuator: Short Hinge Lever



NTE Type No.	Circuitry	Max. Pre-Travel	Min. Over Travel	Max. Operating Force	Max. Differential	Diag No.
54-421	SPDT	0.05"	0.05"	200g	0.01"	S65

S65



Quick Connect Terminals

Specifications

Current Rating: 10A 250VAC, 0.1A 125VDC

Contact Resistance: 30 Milliohms (max.) initial

Insulation Resistance: 100 Megohms at 500VDC

Dielectric Strength: 1000VAC between non-continuous terminals

Temperature Rating: -13°F to +176°F (-25°C to +80°C)

Electrical Life: 300,000 cycles min. (under rated load)

Mechanical Life: 50,000,000 cycles min.

Terminal Type: .187" Quick Connect Terminals